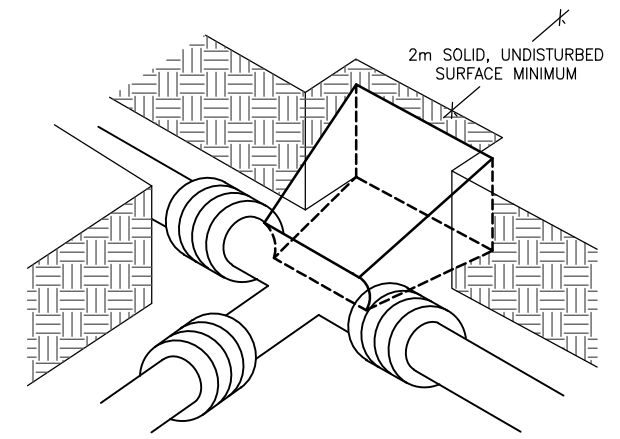


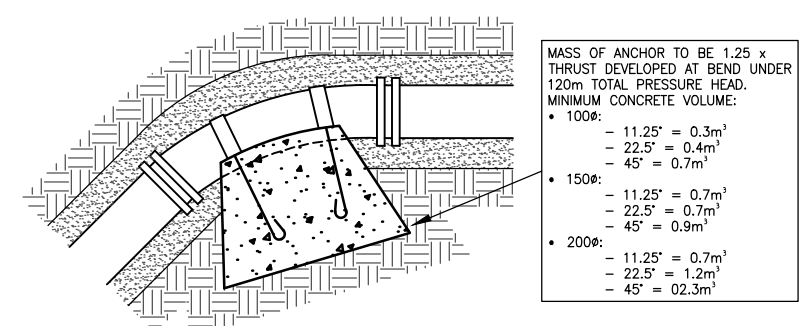
**TYPICAL THRUST BLOCK LOCATIONS**  
NOT TO SCALE

**NOTES:**

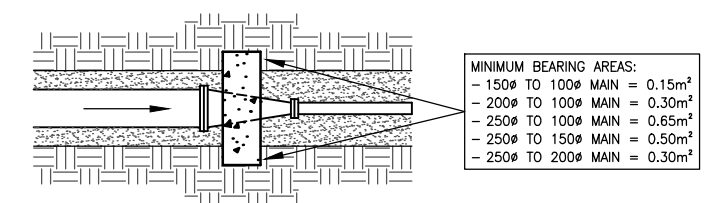
1. ALL CONCRETE TO BE MINIMUM 25MPa.
2. MINIMUM BEARING AREAS SHOWN REFER TO UNDISTURBED SOLID NATURAL GROUND. THE SOLID NATURAL GROUND MUST CONTINUE FOR A MINIMUM OF 2m FROM THE SUPPORT FACE OF THE THRUST BLOCK.
3. THRUST BLOCKS & ANCHORAGES FOR MAINS LARGER THAN 200ø OR FOR UNSTABLE GROUND CONDITIONS, CUSTOM THRUST BLOCK DETAILS TO BE DESIGNED BY CERTIFIED ENGINEER.



**THRUST BLOCK BEHIND TEE ISOMETRIC VIEW**  
NOT TO SCALE



**ANCHORAGE OF VERTICAL BENDS**  
NOT TO SCALE



**ANCHORAGE OF PIPE TAPERS**  
NOT TO SCALE

CONSULTANT	REV	DESCRIPTION	INITIALS	DATE	SCALES (A1) 1:10 0 0.1 0.2 0.3 0.4 0.5 Metres 1:20 0 0.2 0.4 0.6 0.8 1.0 1:50 0 0.5 1.0 1.5 2.0 2.5 1:100 0 1 2 3 4 5 1:200 0 2 4 6 8 10 Metres 1:500 0 5 10 15 20 25 1:750 0 7.5 15 22.5 30 37.5 1:1000 0 10 20 30 40 50	SURVEYED	CHECKED	PROJECT BRC STANDARD WATER THRUST BLOCK & ANCHORAGE DETAILS DESCRIPTION DETAILS & NOTES DWG No. EN7905 SHEET No. 01 REV. B
	A	ISSUED FOR APPROVAL	BH	08-07-98		DRAWN	MC	
	B	DETAIL, NOTE & DRAFTING UPDATES	MC	21-09-23	DESIGN	-	DIRECTOR ENGINEERING SERVICES	
CHECKED	APPROVED				DATE	21-09-23		
					DATUM	AHD		

