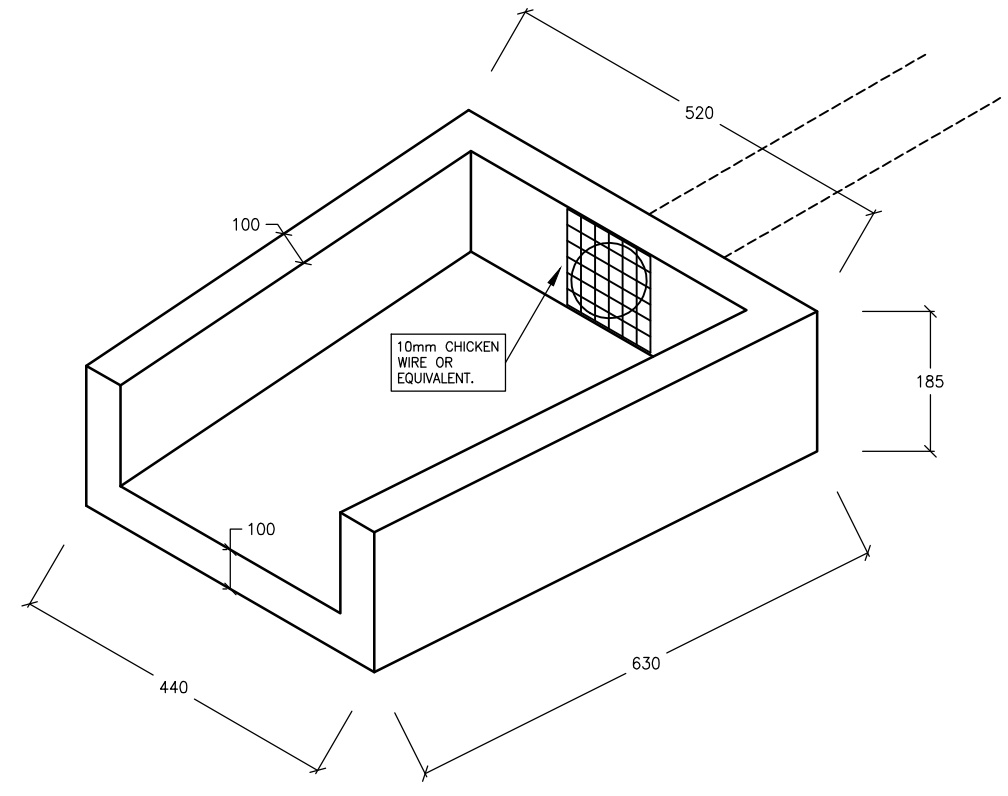
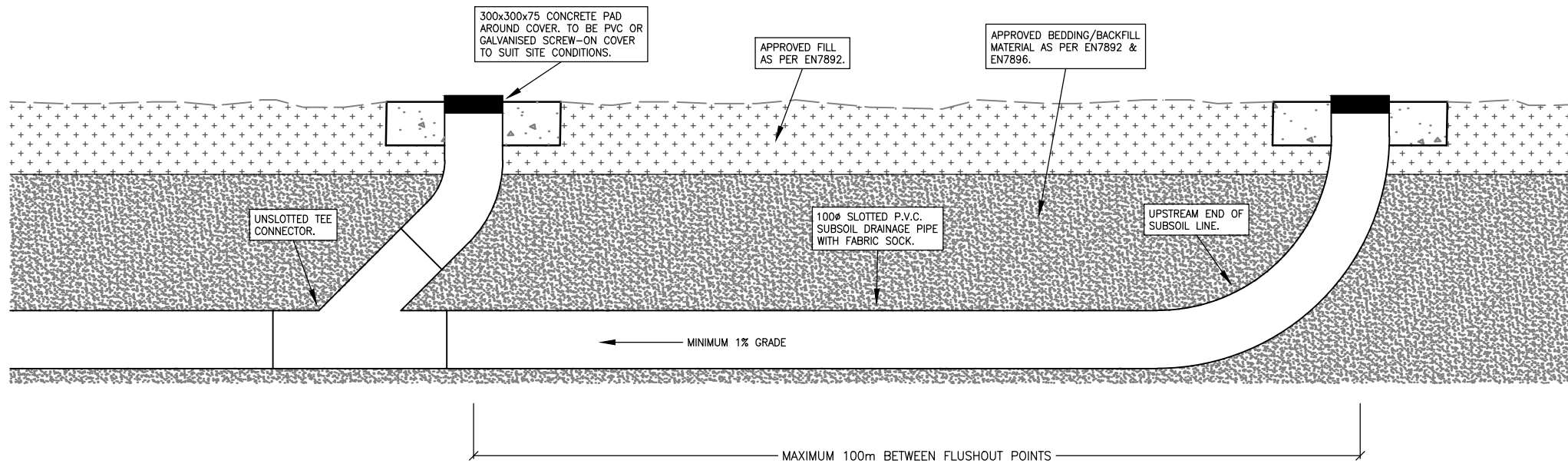


FLUSHOUT POINT CROSS SECTION
NOT TO SCALE



SUBSOIL OUTLET STRUCTURE
NOT TO SCALE



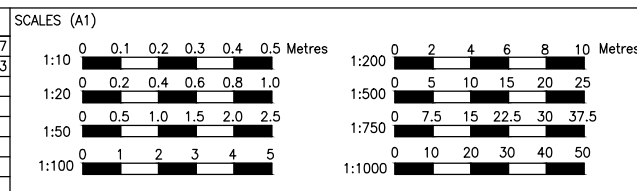
FLUSHOUT POINT ELEVATION
NOT TO SCALE

NOTES:

1. ALL DIMENSIONS IN MILLIMETRES U.N.O.
2. ALL CONCRETE TO BE MINIMUM 25MP_a.
3. SUBSOIL FLUSHOUT POINTS TO BE A MAXIMUM OF 100m APART AND SHALL BE INSTALLED AT UPSTREAM END OF LINE.
4. SEE EN7896 FOR FULL DETAIL/SPECIFICATION FOR SUBSOIL DRAINAGE REQUIREMENTS.

CONSULTANT	REV	DESCRIPTION	INITIALS	DATE
	A	ISSUED FOR APPROVAL	DMM	31-07-97
	B	DETAIL, NOTE & DRAFTING UPDATES	MC	21-09-23
CHECKED	APPROVED			

REV	DESCRIPTION	INITIALS	DATE
A	ISSUED FOR APPROVAL	DMM	31-07-97
B	DETAIL, NOTE & DRAFTING UPDATES	MC	21-09-23
---	---	---	---



SURVEYED	—	CHECKED	
DRAWN	MC	TECHNICAL SERVICES MANAGER	
DESIGN	—	DIRECTOR ENGINEERING SERVICES	
DATE	21-09-23		
DATUM	AHD		



PROJECT		
BRC STANDARD SUBSOIL DRAIN FLUSHOUT POINT & OUTLET DETAILS		
DESCRIPTION		
DETAILS & NOTES		
DWG No.	SHEET No.	REV.
EN7897	01	B