

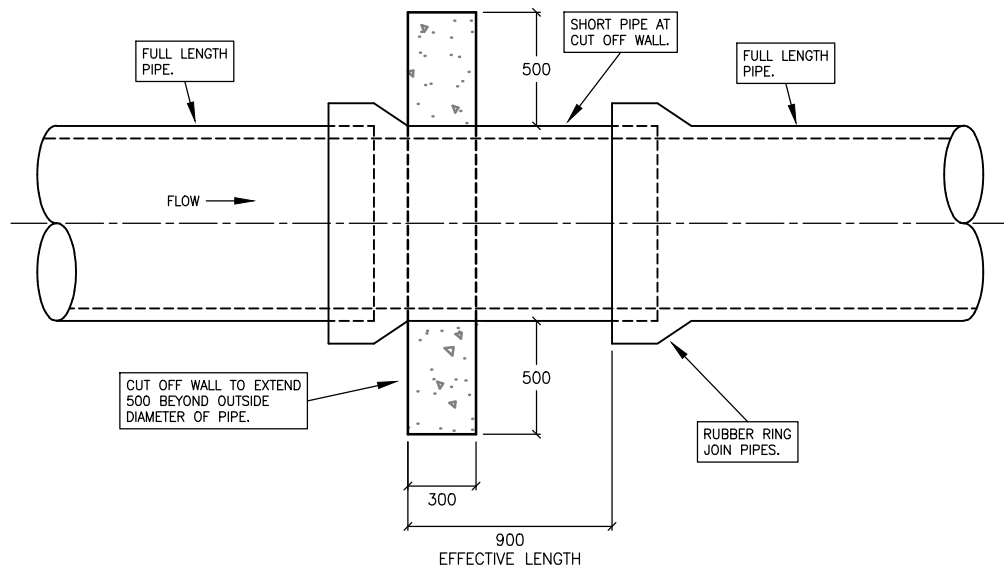
GENERAL NOTES:

1. ALL DIMENSIONS IN MILLIMETRES.
2. ALL CONCRETE TO BE MINIMUM 32MPa.
3. ALL PITS & LIDS SHALL BE CAPABLE OF SUPPORTING LOAD CLASS 'D' IN ACCORDANCE WITH AS3996.
4. STANDARD/MINIMUM PIT LENGTH & WIDTH 1050x1050, TO VARY AS PER DIMENSION 'Z' AS REQUIRED TO SUIT PIPE SIZES, ENTRY ANGLE & SITE CONDITIONS.
5. FLOOD GATE TO SUIT PIPE DIAMETER – REFER TABLE.
6. WHERE ANY PIT IS TO BE CAST IN-SITU IT SHALL BE DESIGNED BY A CERTIFIED ENGINEER.
7. CONSTRUCTION CERTIFICATION OF ALL CAST IN-SITU PITS INCLUDING INSPECTIONS SHALL BE UNDERTAKEN BY A CERTIFIED ENGINEER EXTERNAL TO COUNCIL.
8. PROVIDE CORROSION RESISTANT STEP IRONS AT 300 CENTRES FOR PITS DEEPER THAN 1200.
9. PIT BASE LEVEL TO MATCH OUTLET PIPE INVERT.

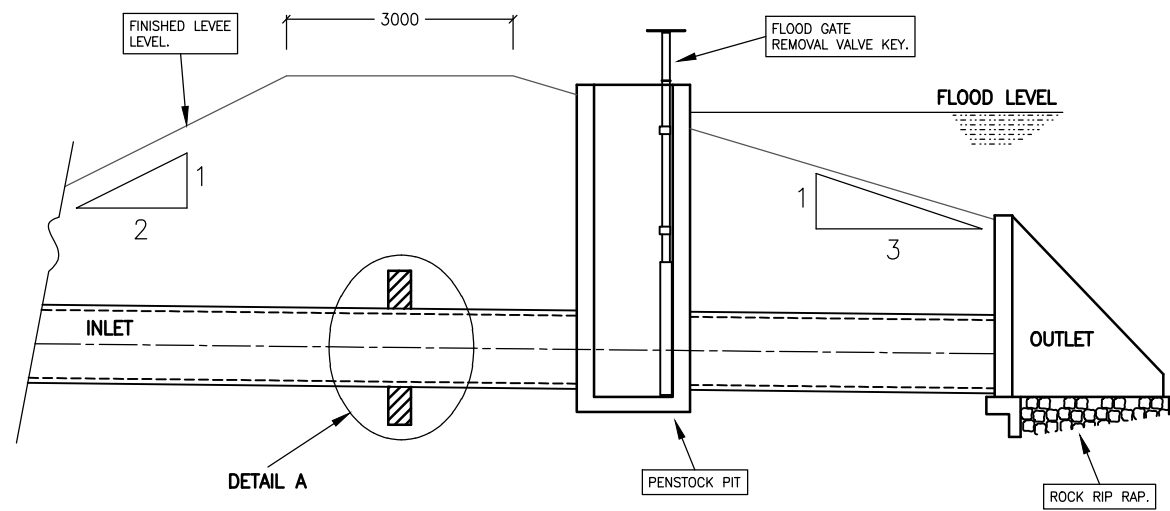
NOMINAL GATE DIAMETER	300	375	450	525	600	750	900	1050	1200
BOLT HOLES LOCATION	a	480	560	660	740	820	960	1140	1470
	b	335	425	515	600	600	875	1055	1415
	c	140	175	215	250	285	365	440	590
OVERALL DIMENSION	d	190	1225	265	300	335	625	490	640
	e	770	875	995	1100	1205	1445	1670	2120
	f	550	635	735	825	895	1035	1215	1545
SPIGOT	g	220	350	430	500	570	730	880	1100
	h	150	150	150	150	150	150	150	150
Z (min Z)	-	-	1050	1050	1050	1190	1370	1550	1700
Y (min Y)	-	-	1020	1040	1700	2020	2320	2140	2920

PIT COVER NOTES:

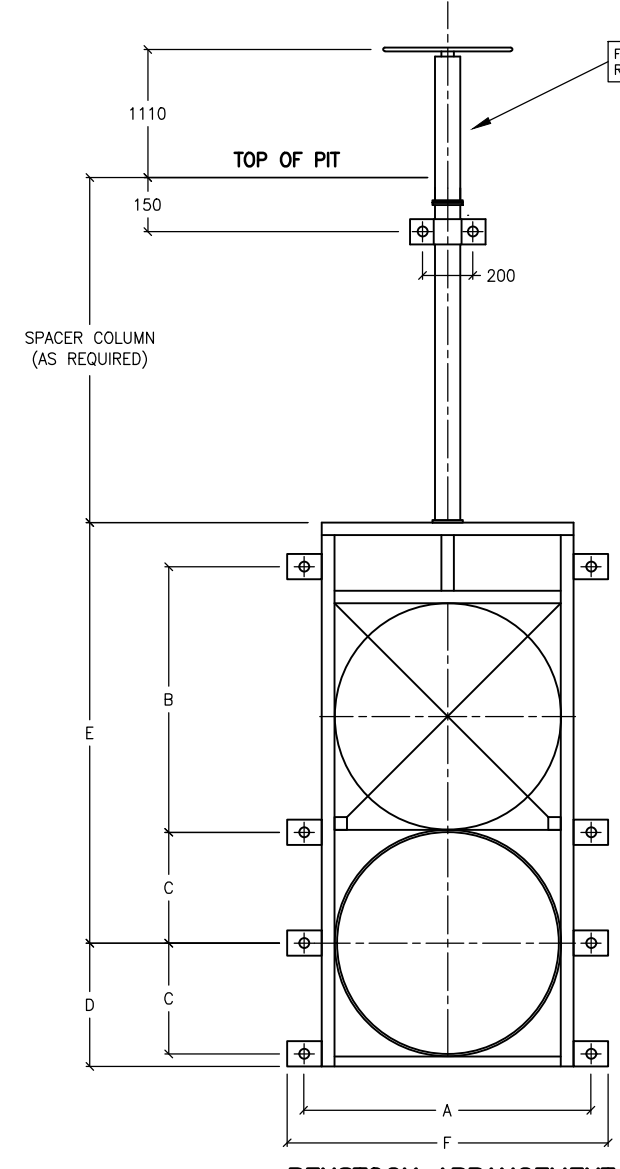
1. COVER TO BE HINGED WELDLACK HOT DIPPED GALVANISED GRATE OR EQUIVALENT INSTALLED TO MANUFACTURERS SPECIFICATION WITH 100x100 OPENING FOR VALVE KEY ACCESS. TO BE INSTALLED WITH LOCK.



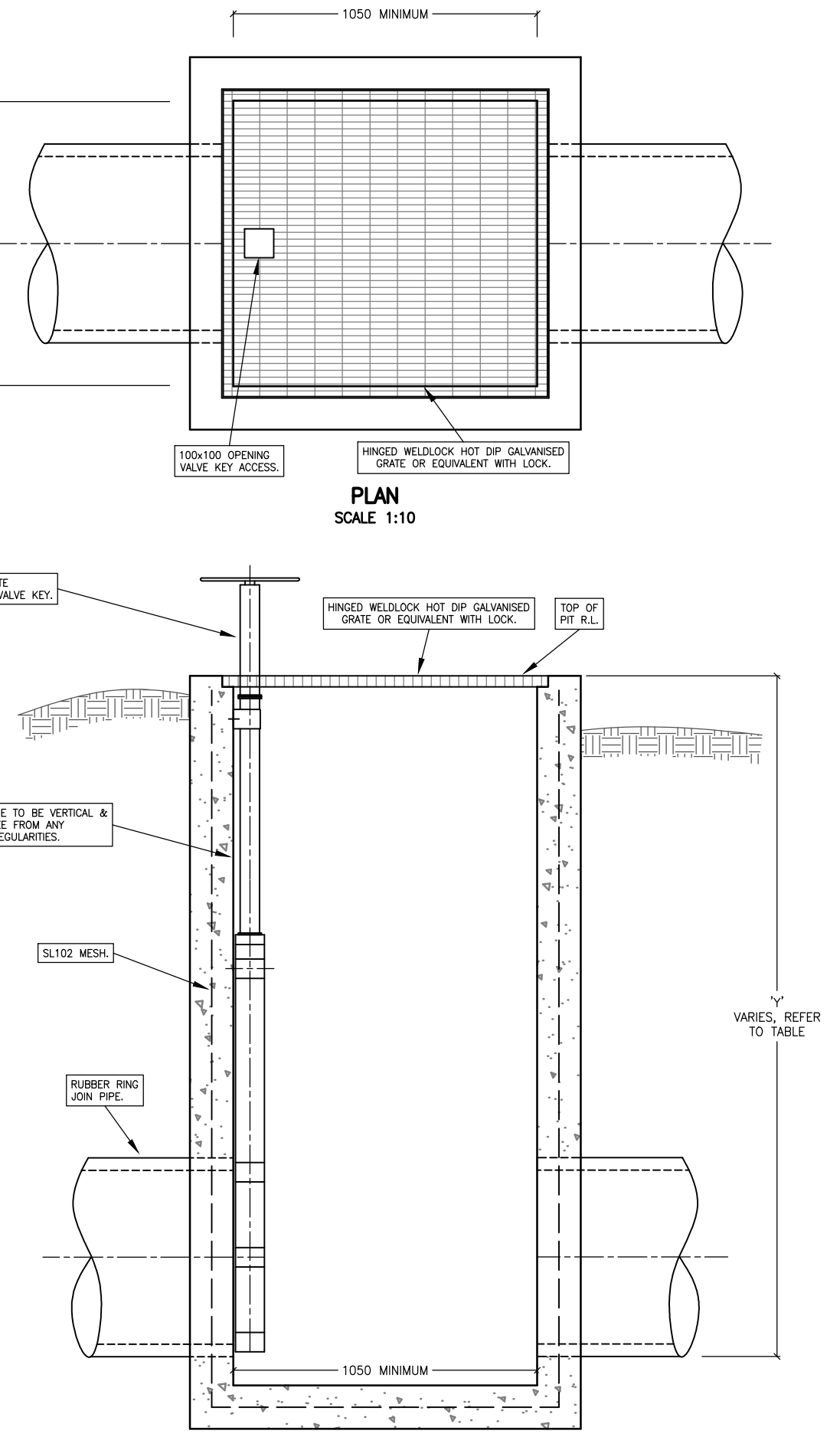
DETAIL A
NOT TO SCALE



TYPICAL CROSS SECTION
NOT TO SCALE



PENSTOCK ARRANGEMENT
SCALE 1:10



PENSTOCK PIT TYPICAL CROSS SECTION
SCALE 1:10

CONSULTANT	APPROVED
CHECKED	

REV	DESCRIPTION	INITIALS	DATE
A	ISSUED FOR APPROVAL	DMM/BH	25-06-96
B	STEP IRONS NO LONGER REQUIRED	-	25-11-04
C	PLAN VIEW ADDED, GENERAL ARRANGEMENT MODIFIED	-	13-03-09
D	NOTE & DRAFTING UPDATES	MC	21-09-23

SCALES (A1)	0	0.1	0.2	0.3	0.4	0.5	Metres
1:10	0	0.2	0.4	0.6	0.8	1.0	
1:20	0	0.5	1.0	1.5	2.0	2.5	
1:50	0	1	2	3	4	5	

SURVEYED	-
CHECKED	
DRAWN	MC
DESIGN	-
DATE	21-09-23
DATUM	AHD

BATHURST REGIONAL COUNCIL

PROJECT	PENSTOCK PIT DETAILS		
DESCRIPTION	PLAN, DETAILS, TYPICAL CROSS SECTIONS & NOTES		
DWG No.	EN7890	SHEET No.	01
REV.			D