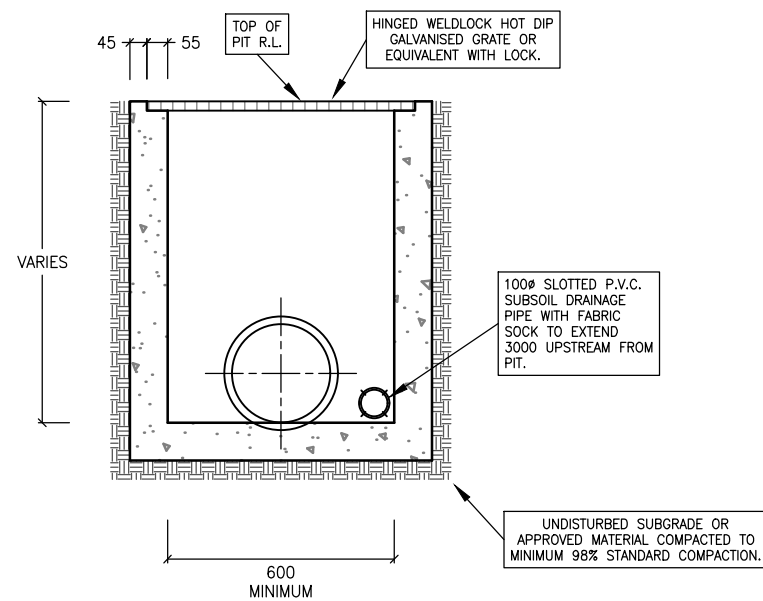


PLAN
SCALE 1:10



SECTION X-X
SCALE 1:10

GENERAL NOTES:

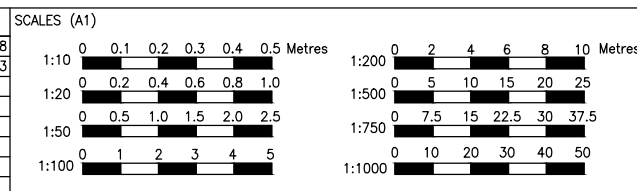
1. ALL DIMENSIONS IN MILLIMETRES.
2. ALL CONCRETE TO BE MINIMUM 25MPa.
3. ALL PITS & LIDS SHALL BE CAPABLE OF SUPPORTING LOAD CLASS 'B' IN NON-TRAFFICABLE AREAS AND LOAD CLASS 'D' IN TRAFFICABLE AREAS IN ACCORDANCE WITH AS3996.
4. GRATES SHALL BE BIKE SAFE.
5. STANDARD/MINIMUM PIT LENGTH & WIDTH 600x600, TO VARY IN EITHER DIRECTION AS REQUIRED TO SUIT PIPE SIZES, ENTRY ANGLE & SITE CONDITIONS.
6. WHERE PIT DEPTH GREATER THAN 1000, MINIMUM LENGTH & WIDTH SHALL BE 900x900.
7. PITS SHALL BE PRECAST GENERALLY.
8. WHERE ANY PIT IS TO BE CAST IN-SITU IT SHALL BE DESIGNED BY A CERTIFIED ENGINEER. WHERE ANY PART OF A PIT EXTENDS INTO A ROADWAY IT SHALL BE DESIGNED TO SM1600 TRAFFIC LOADING IN ACCORDANCE WITH AS5100.2.
9. CONSTRUCTION CERTIFICATION OF ALL CAST IN-SITU PITS IN ROADWAYS INCLUDING INSPECTIONS SHALL BE UNDERTAKEN BY A CERTIFIED ENGINEER EXTERNAL TO COUNCIL.
10. PROVIDE CORROSION RESISTANT STEP IRONS AT 300 CENTRES FOR PITS DEEPER THAN 1200.
11. PIT BASE LEVEL TO MATCH OUTLET PIPE INVERT.

PIT COVER NOTES:

1. COVER TO BE HINGED WELDLOCK HOT DIPPED GALVANISED GRATE OR EQUIVALENT INSTALLED TO MANUFACTURERS SPECIFICATION. TO BE INSTALLED WITH LOCK.

CONSULTANT	REV	DESCRIPTION	INITIALS	DATE
	A	ISSUED FOR APPROVAL	GCH/BH	01-07-98
	B	NOTE & DRAFTING UPDATES	MC	21-09-23
	---	---	---	---
CHECKED	APPROVED			

REV	DESCRIPTION	INITIALS	DATE
A	ISSUED FOR APPROVAL	GCH/BH	01-07-98
B	NOTE & DRAFTING UPDATES	MC	21-09-23
---	---	---	---



SURVEYED	MC
DRAWN	MC
DESIGN	---
DATE	21-09-23
DATUM	AHD

CHECKED	TECHNICAL SERVICES MANAGER
	DIRECTOR ENGINEERING SERVICES

BATHURST REGIONAL COUNCIL

PROJECT	BRC STANDARD INTERALLOTMENT PIT DETAILS		
DESCRIPTION	PLAN, NOTES & CROSS SECTION		
DWG No.	SHEET No.	REV.	
EN7889B	01	B	