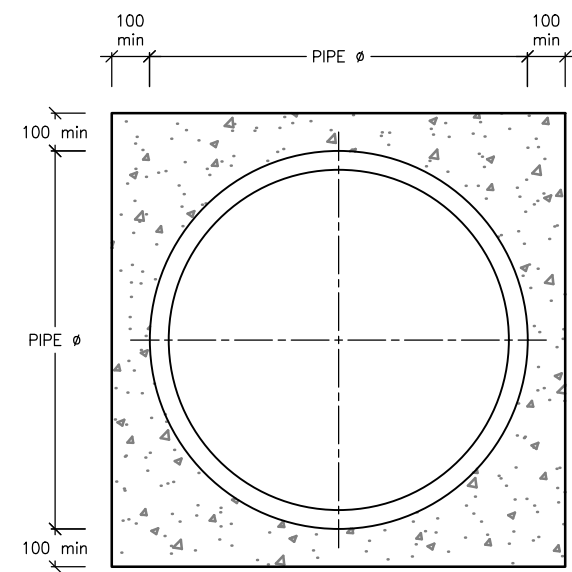


JUNCTION CUT-IN ENCASEMENT PLAN
SCALE 1:20

NOTES:

1. ALL DIMENSIONS IN MILLIMETRES.
2. ALL CONCRETE TO BE MINIMUM 25MPa.
3. CONCRETE ENCASEMENT TO HAVE MINIMUM 100 COVER ALL AROUND PIPE.
4. CONCRETE ENCASEMENT MINIMUM LENGTH TO BE 450.



TYPICAL CROSS SECTION
SCALE 1:10

CONSULTANT	REV	DESCRIPTION	INITIALS	DATE
	A	ISSUED FOR APPROVAL	CC	21-09-23
CHECKED	APPROVED			

SCALES (A1)	
1:10	0 0.1 0.2 0.3 0.4 0.5 Metres
1:20	0 0.2 0.4 0.6 0.8 1.0
1:50	0 0.5 1.0 1.5 2.0 2.5
1:100	0 1 2 3 4 5
1:200	0 2 4 6 8 10 Metres
1:500	0 5 10 15 20 25
1:750	0 7.5 15 22.5 30 37.5
1:1000	0 10 20 30 40 50

SURVEYED	-
DRAWN	CC
DESIGN	-
DATE	21-09-23
DATUM	AHD

CHECKED	
TECHNICAL SERVICES MANAGER	
DIRECTOR ENGINEERING SERVICES	



PROJECT BRC STANDARD SEWER MAIN ENCASEMENT FOR JUNCTION CUT-IN WORKS DETAILS		
DESCRIPTION TYPICAL PLAN & CROSS SECTION		
DWG No. EN11576	SHEET No. 01	REV. A